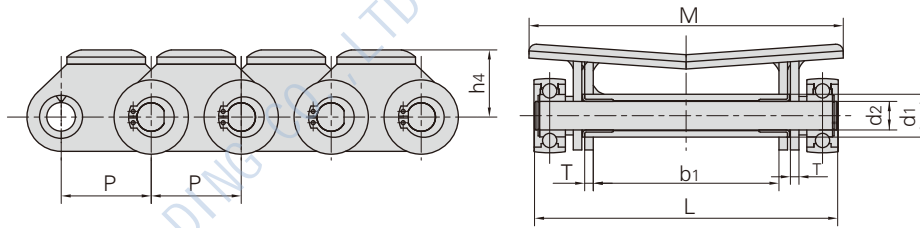
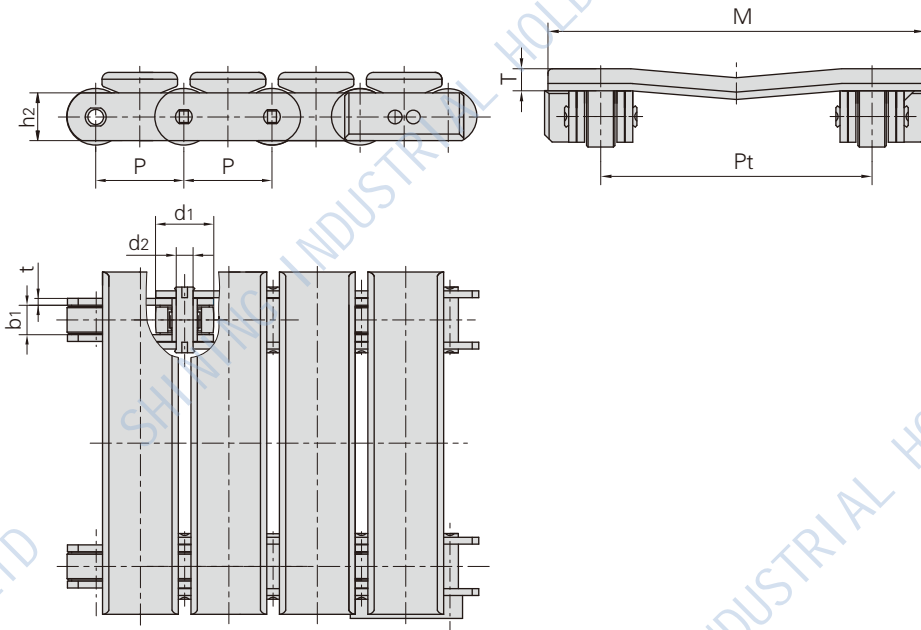


1.2.6 PAPER MILL CONVEYOR CHAIN



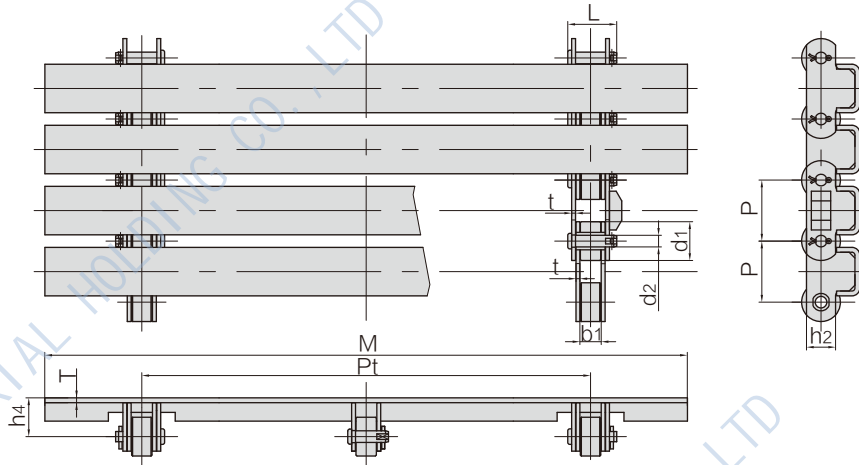
Chain No.	Pitch	Width Between Inner Plates	Roller Diameter	Pin Diameter	Pin Length	Plate Thickness	Attachment Dimension		Tensile Strength	Average Tensile Strength
	P	b1 min	d1 max	d2 max	L max	T max	M mm	h4 mm	Q min	Q0 min
	mm	mm	mm	mm	mm	mm	mm	mm	kN/lbf	kN
P63F2	63.0	130.0	30.0	20.0	213	6.0	220.0	50.0	160.0/35968	176.0
P63F4	63.0	160.0	30.0	20.0	243	6.0	250.0	50.0	160.0/35968	176.0
P63F5	63.0	110.0	30.0	20.0	193	6.0	200.0	50.0	160.0/35968	176.0
P63F11	63.0	230.0	30.0	20.0	313	6.0	320.0	50.0	160.0/35968	176.0



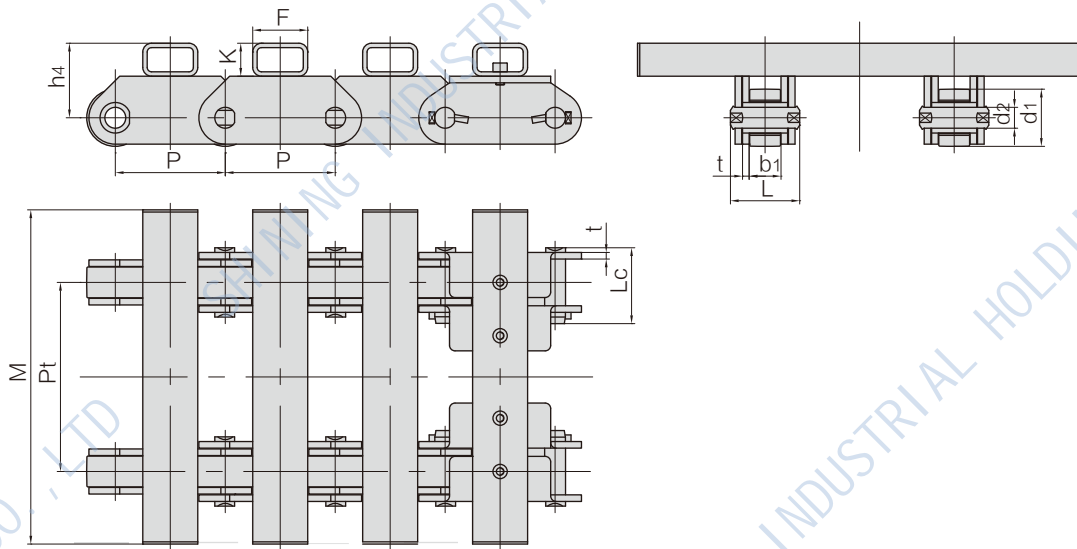
Chain No.	Pitch	Width Between Inner Plates	Pin Diameter	Roller Diameter	Plate Depth	Plate Thickness	Attachment Dimension			Tensile Strength
	P	b1 min	d2 max	d1 max	h2 max	t max	Pt	T	M	Q min
	mm	mm	mm	mm	mm	mm	mm	mm	mm	kN/lbf
P63F16	63.0	21.5	12.0	42.0	35.0	5.0	180.0	15.0	250.0	120.0/26994
P63F25	63.0	24.0	14.0	42.0	35.0	5.0	180.0	15.0	250.0	100.0/22495
*P63.5F23	63.5	19.0	11.5	40.0	35.0	5.0	236.0	15.0	300.0	100.0/22495

*Means no bearing inside roller

1.2.6 PAPER MILL CONVEYOR CHAIN

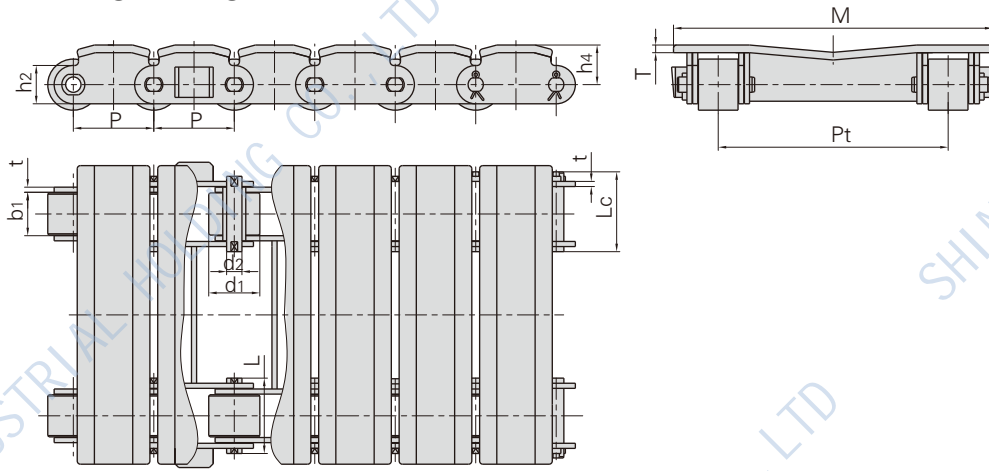


Chain No.	Pitch	Width Between Inner Plates	Roller Diameter	Pin Diameter	Pin Length	Plate Depth	Plate Thickness	Attachment Dimension				Tensile Strength
	P	b1 min	d1 max	d2 max	L max	h2 max	t max	Pt	M	h4	T	Q min
	mm	mm	mm	mm	mm	mm	mm	mm	mm	mm	mm	mm
P63F40	63.0	22.0	40.0	12.0	51.0	30.0	4.0	600	800	40	5	63.0/14162

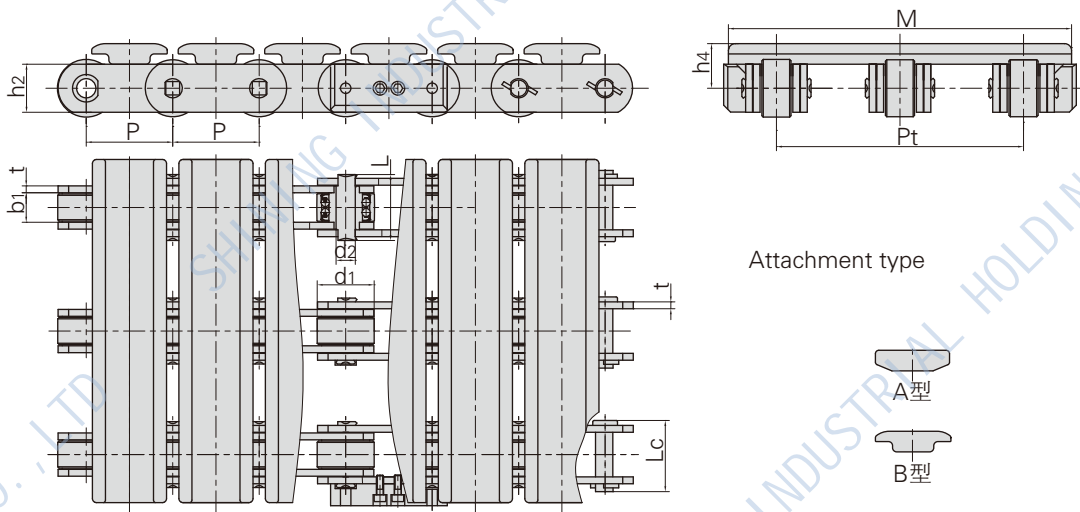


Chain No.	Pitch	Width Between Inner Plates	Roller Diameter	Pin Diameter	Pin Length		Plate Thickness	Attachment Dimension					Tensile Strength
	P	b1 min	d1 max	d2 max	L max	Lc max	t max	F	K	Pt	M	h4	Q min
	mm	mm	mm	mm	mm	mm	mm	mm	mm	mm	mm	mm	mm
P100F361	100	29.0	52.0	19.0	63.0	69.0	6.0	50	30	572	804	68	200.0/44960

1.2.6 PAPER MILL CONVEYOR CHAIN

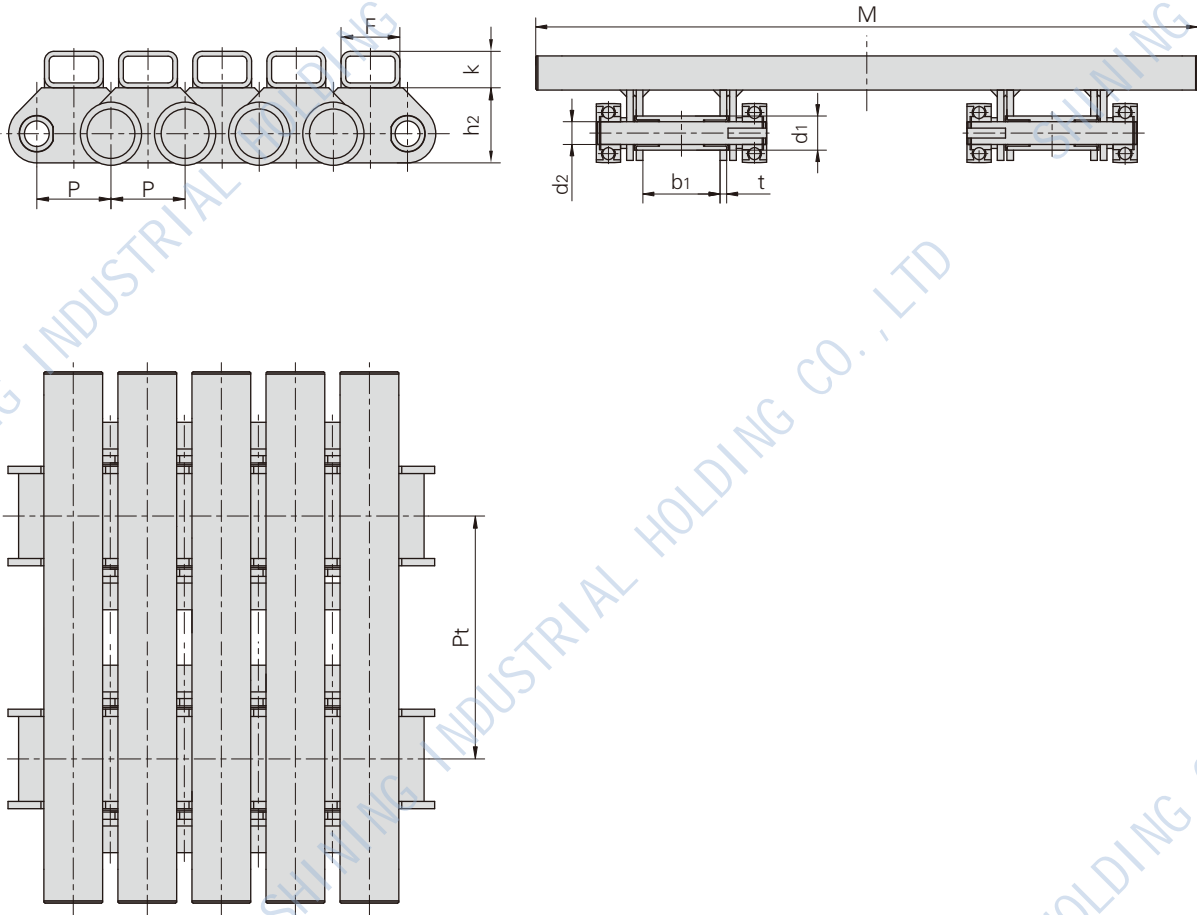


Chain No.	Pitch	Width Between Inner Plates	Roller Diameter	Pin Diameter	Pin Length		Plate Depth	Plate Thickness	Attachment Dimension				Tensile Strength
	P	b1 min	d1 max	d2 max	L max	Lc max	h2 max	t max	Pt	M	h4	T	Q min
	mm	mm	mm	mm	mm	mm	mm	mm	mm	mm	mm	mm	kN/lbf
P63F18-P	63.0	22.0	400	12.0	45.6	50.0	30.0	4.0	180	240	31	6	86.7/19490



Chain No.	Pitch	Width Between Inner Plates	Roller Diameter	Pin Diameter	Pin Length		Plate Depth	Plate Thickness	Attachment Dimension			Tensile Strength	Attachment Type
	P	b1 min	d1 max	d2 max	L max	Lc max	h2 max	t max	Pt	M	h4	Q min	
	mm	mm	mm	mm	mm	mm	mm	mm	mm	mm	mm	kN/lbf	
P63F33 P63F45	63	24.0	42.0	14.0	51.0	56.0	35.0	5.0	1130	1200	32.5	100.0/22480	A B

1.2.6 PAPER MILL CONVEYOR CHAIN



Chain No.	Pitch	Width Between Inner Plates	Bush Diameter	Pin Diameter	Plate Depth	Plate Thickness	Attachment Dimension				Tensile Strength
	P	b1 min	d1 max	d2 max	h2 max	t max	F	K	Pt	M	Q min
	mm	mm	mm	mm	mm	mm	mm	mm	mm	mm	kN/lbf
P63F23	63.0	70.0	30.0	20.0	61.8	6.0	50.0	30.0	688.0	1200.0	160.0/35993