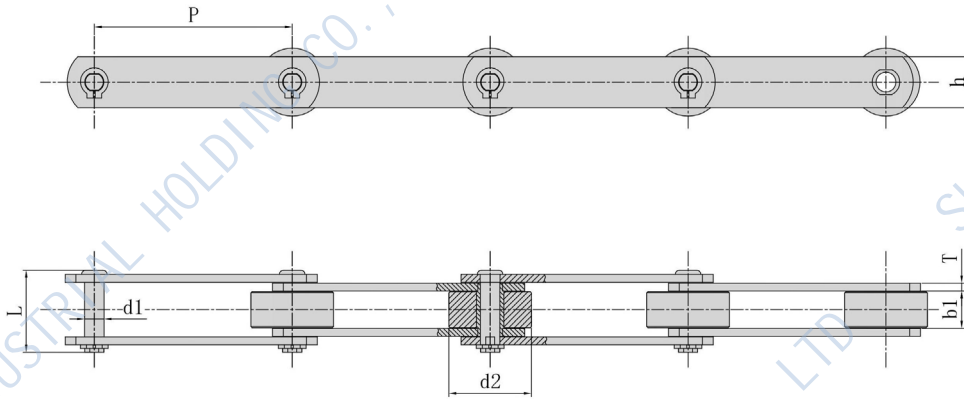
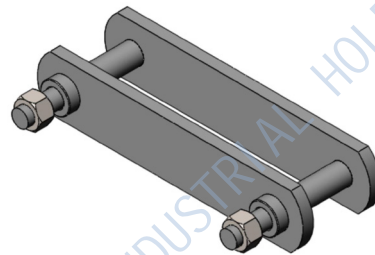
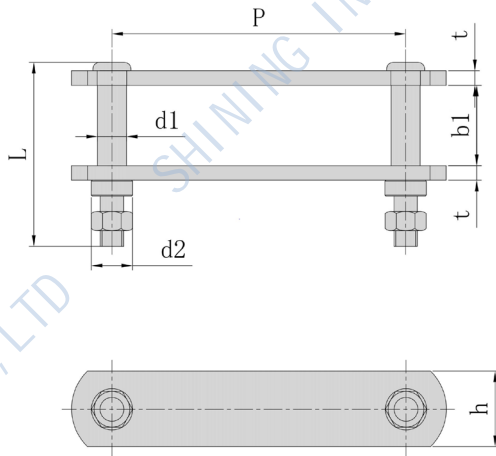


1.2.8 WASTE WATER CHAIN

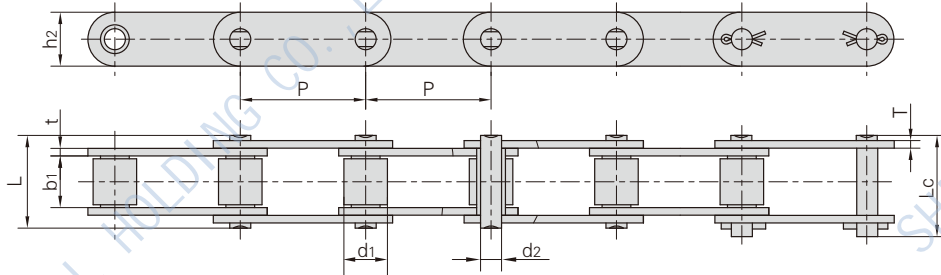


Chain No.	Pitch	Width Between Inner Plates	Roller Diameter	Pin Diameter		Plate Depth	Plate Thickness	Tensile Strength
	P	b1 min	d2 max	d1 max	L max	h	T	Q
	mm	mm	mm	mm	mm	mm	mm	kN/lbf
P125	125.00	30.00	55.00	15.75	66.29	41.15	6.35	140.0/28325
P160	160.00	30.00	55.00	15.75	66.29	41.15	6.35	140.0/28325

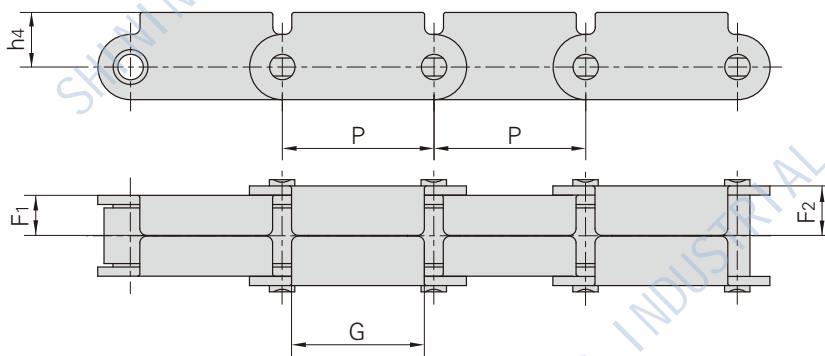


Chain No.	P	b1	d1	d2	L	t	h
	mm	mm	mm	mm	mm	mm	mm
P125-CL	125.00	43.69	15.75	22.50	100.00	7.94	41.15
P160-CL	160.00	43.69	15.75	22.50	100.00	7.94	41.15

1.2.9 LUMBER CONVEYOR CHAIN

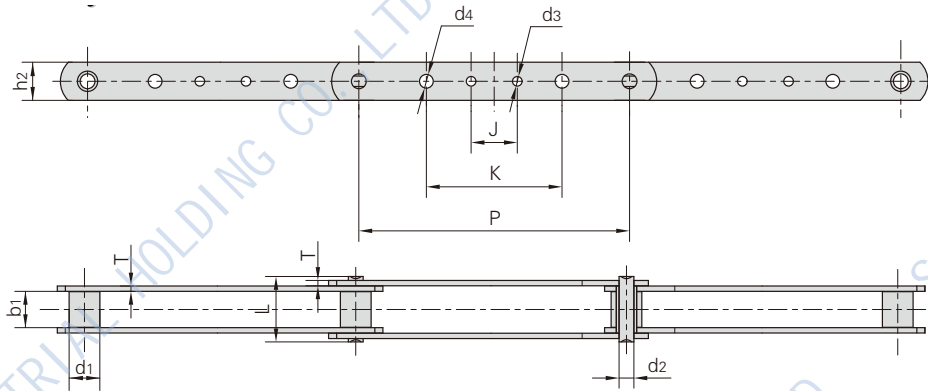


Chain No.	Pitch	Roller Diameter	Width Between Inner Plates	Pin Diameter	Pin Length		Inner Plate Depth	Plate Thickness	Tensile Strength	Average Tensile Strength	Weight Per Meter
	P	d1 max	b1 min	d2 max	L max	Lc max	h2 max	t/T max	Q min	Qo	q
	mm	mm	mm	mm	mm	mm	mm	mm	kN/lbf	kN	Kg/m
500R	50.00	25.40	25.40	14.63	52.0	56.4	40.00	5.00	100/22727	114.5	7.13
500R-F1	50.00	25.40	25.40	14.63	53.4	60.1	40.00	5.00	120/29376	132.0	7.23
81X	66.27	23.00	27.00	11.10	49.0	53.5	28.50	4.00	106.7/24250	128.9	3.78
81X-F14	66.27	23.00	27.00	11.10	50.8	53.8	28.70	4.00	85.5/19426	91.4	3.78
81XH	66.27	23.00	27.78	11.10	60.7	65.1	31.35	7.5/5.55	151.9/34523	175.7	5.88
81XHH	66.27	23.00	27.78	11.10	65.6	70.0	31.35	7.5	191.1/43432	212.6	6.70

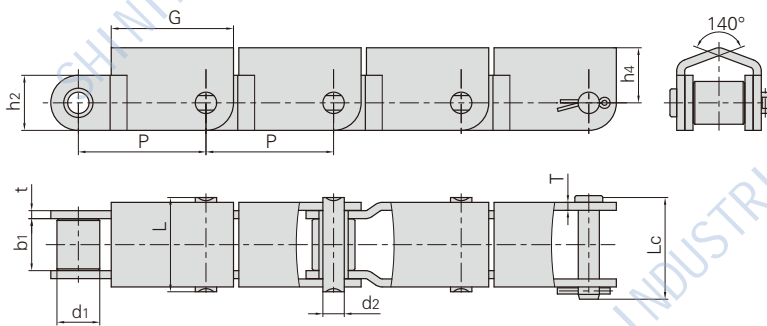


Chain No.	P	F1	F2	G	h4
	mm	mm	mm	mm	mm
81XRT	66.27	17.50	21.80	58.00	23.85

1.2.9 LUMBER CONVEYOR CHAIN



Chain No.	Pitch	Roller Diameter	Width Between Inner Plates	Pin Diameter		Plate Dimension					Tensile Strength	Tensile Strength	Average Tensile Strength
	P	d1 max	b1 min	d2 max	L max	h2 max	d3 max	d4 max	J max	K max	T max	Q min	Qo
	mm	mm	mm	mm	mm	mm	mm	mm	mm	mm	mm	kN/lbf	kN
3939-B4	203.2	23.0	27.0	11.1	49.0	28.58	7.2	7.2	38.1	101.6	4.0	115.58/26268	136.5
3939-B21	203.2	23.0	27.0	11.1	49.0	28.58	7.0	-	38.1	-	4.0	115.58/26268	136.5
3939-B23	203.2	23.0	27.0	11.1	49.0	28.58	-	10.3	-	92.1	4.0	115.58/26268	136.5
3939-B24	203.2	23.0	27.0	11.1	49.0	28.58	-	7.2	-	101.6	4.0	115.58/26268	136.5
3939-B40	203.2	23.0	27.0	11.1	49.0	28.58	-	10.3	-	101.6	4.0	115.58/26268	136.5
3939-B43	203.2	23.0	27.0	11.1	49.0	28.58	7.2	10.3	38.1	92.1	4.0	115.58/26268	136.5
3939-B44	203.2	23.0	27.0	11.1	49.0	28.58	7.2	10.3	38.1	101.6	4.0	115.58/26268	136.5
3939H-B4	203.2	23.0	27.0	11.1	58.0	28.60	-	7.2	38.0	102.0	6.4	150.00/34082	172.5



Chain No.	Pitch	Roller Diameter	Width Between Inner Plates	Pin Diameter	Pin Length		Plate Dimension				Tensile Strength	Weight Per Meter
	P	d1 max	b1 min	d2 max	L max	Lc max	h2 max	t/T max	G max	h4 max	Q min	q
	mm	mm	mm	mm	mm	mm	mm	mm	kN/lbf	kN	kN/lbf	Kg/m
P66.27-F6	66.27	22.23	27.00	11.10	49.00	53.80	28.60	4.15	63.50	28.60	97.8/21985	5.25