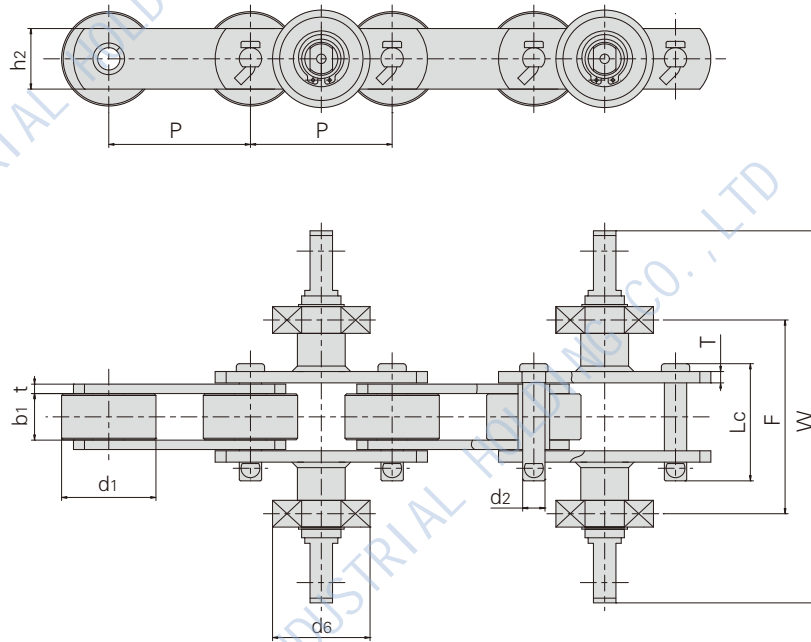
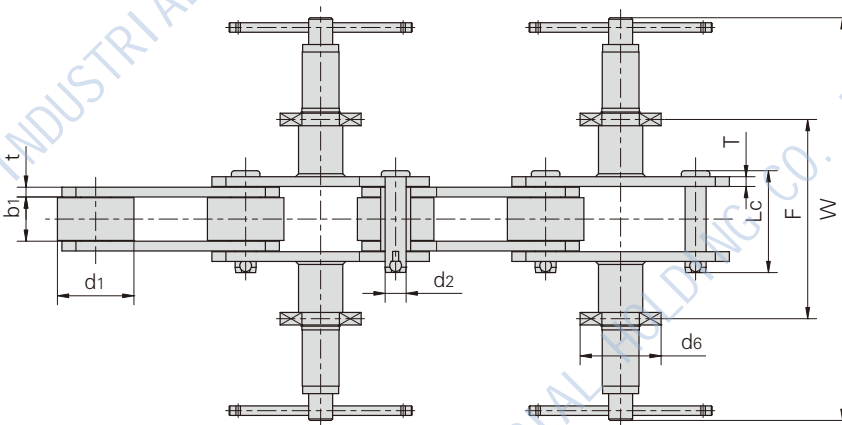
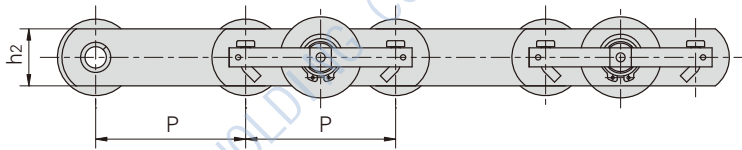


**1.2.10 GLOVE CHAIN**



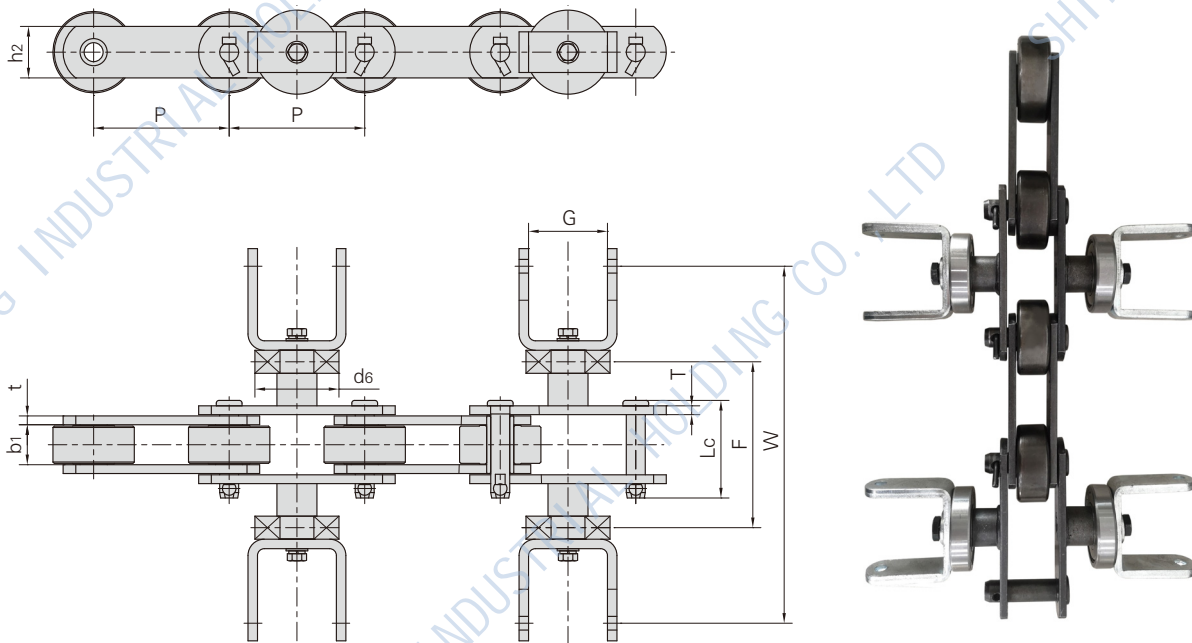
Chain No.	Pitch	Roller Diameter	Width Between Inner Plates	Pin Diameter	Pin Length	Plate Depth	Plate Thickness	Attachment Dimension			Tensile Strength
	$P$	$d_1$ (max)	$b_1$ (min)	$d_2$ (max)	$L_c$ (max)	$h_2$ (max)	$t/T$ (max)	$F$	$W$	$d_6$	$Q$ (min)
	mm	mm	mm	mm	mm	mm	mm	mm	mm	mm	kN/lbf
P90	90.0	60.0	29.5	14.2	74.5	38.5	6.0/7.0	121.5	236.6	62.0	112.0/25178
P100	100.0	60.0	28.8	14.0	70.0	38.0	6.5	122.0	278.0	62.0	200.0/44960
P100	100.0	60.0	29.0	15.0	76.4	38.0	8.0	138.0	244.0	62.0	230.0/51704

## 1.2.10 GLOVE CHAIN



Chain No.	Pitch	Roller Diameter	Width Between Inner Plates	Pin Diameter	Pin Length	Plate Depth	Plate Thickness	Attachment Dimension			Tensile Strength
	P	d1 (max)	b1 (min)	d2 (max)	Lc (max)	h2 (max)	t/T (max)	F	W	d6	Q (min)
	mm	mm	mm	mm	mm	mm	mm	mm	mm	mm	kN/lbf
P100	100.0	51.0	29.5	14.0	72.0	38.0	6.5	210.0	482.0	62.0	200.0/44960
P100	100.0	60.0	29.5	16.0	72.0	45.0	6.5	207.0	480.0	62.0	260.0/58448
P100	100.0	60.0	28.5	14.0	71.0	38.0	6.5	207.0	478.0	62.0	200.0/44960
P100	100.0	60.0	28.0	16.0	72.0	40.0	7.0	199.0	478.0	62.0	200.0/44960
P100	100.0	58.0	28.5	16.0	77.0	40.0	8.0	207.0	478.0	62.0	260.0/58448
P100	100.0	60.0	28.5	16.0	77.0	40.0	8.0	207.0	478.0	62.0	260.0/58449

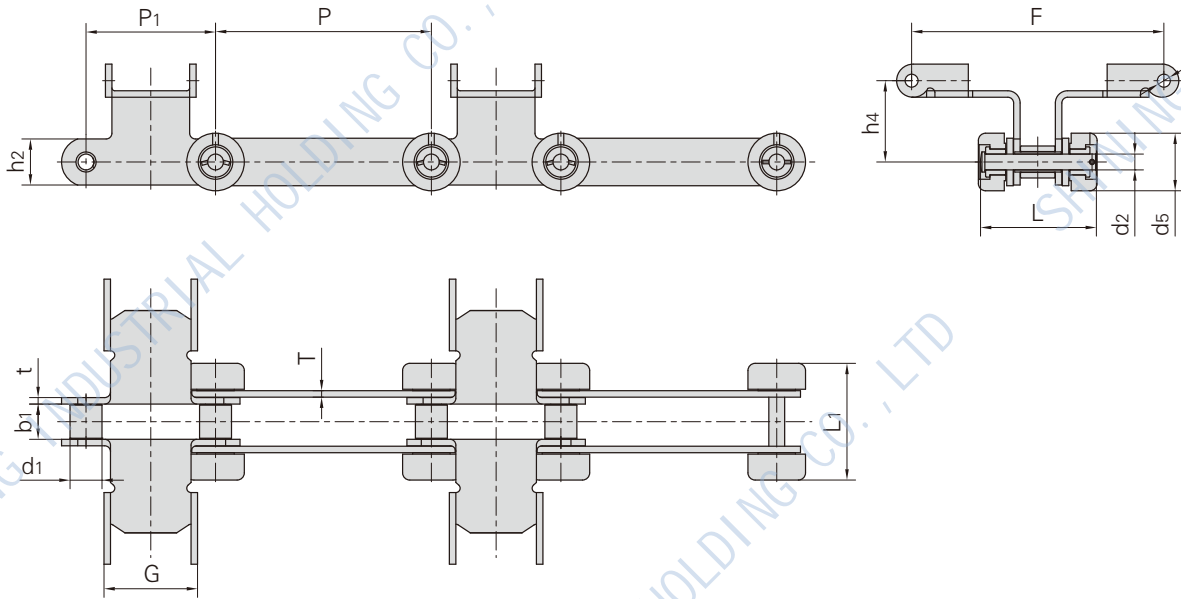
### 1.2.10 GLOVE CHAIN



Chain No.	Pitch	Roller Diameter	Width Between Inner Plates	Pin Diameter	Pin Length	Plate Depth	Plate Thickness	Attachment Dimension				Tensile Strength
	P	d1 (max)	b1 (min)	d2 (max)	Lc (max)	h2 (max)	t/T (max)	F	W	d6	G	Q (min)
	mm	mm	mm	mm	mm	mm	mm	mm	mm	mm	mm	kN/lbf
P100	100	60	29.5	14	72	38	6.5	122	262	62	59.5	200.0/44960
P100▲	100	60	28.5	14	71	38	6.5	121	262	62	58.5	200.0/44960
P100	100	60	29.5	14	71	38	6.5	121	263	62	58.2	200.0/44960
P100▲	100	60	28.5	14	71	38	6.5	121	222	62	58.5	200.0/44960

▲ U Type attachment with reinforce rib

## 1.2.10 GLOVE CHAIN



Chain No.	Pitch		Roller Diameter	Width Between Inner Plates	Pin Diameter	Pin Length	Plate Depth	Plate Thickness	Tensile Strength	Weight Per Meter
	P	P1	d1 (max)	b1 (min)	d2 (max)	L (max)	h2 (max)	t/T (max)	Q (min)	q
	mm	mm	mm	mm	mm	mm	mm	mm	kN/lbf	Kg/m
P100	100.0	-	22.23	22.5	10.8	76.5	32.0	6.0/4.5	60/13488	9.32
P100	100.0	-	22.00	24.0	12.0	75.0	32.0	6.0	60/13488	11.87
P150/90	150.0	90.0	22.20	24.3	10.8	81.5	32.0	4.5	60/13488	8.10

Chain No.	G	L1	F	h4	d4	d5
	mm	mm	mm	mm	mm	mm
P100	74.6	79.5	175.0	56.5	9.5	40.0
P100	74.6	83.5	176.5	56.5	9.1	40.0
P150/90	65.0	82.0	175.0	57.0	9.2	40.0

### 1.2.10 GLOVE CHAIN

*Former holder*

