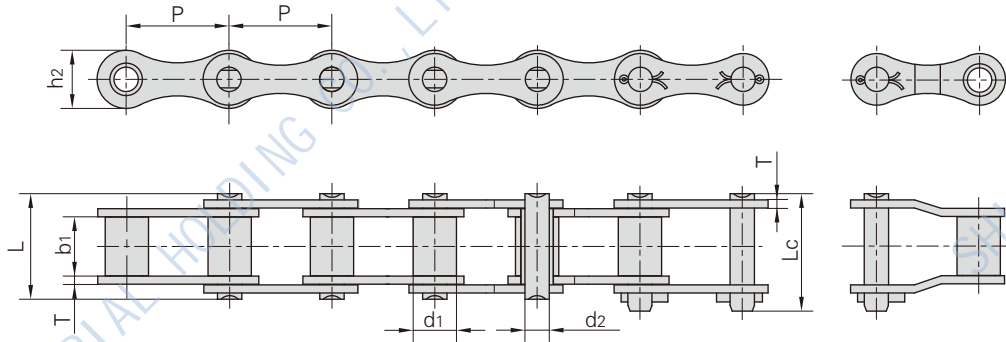
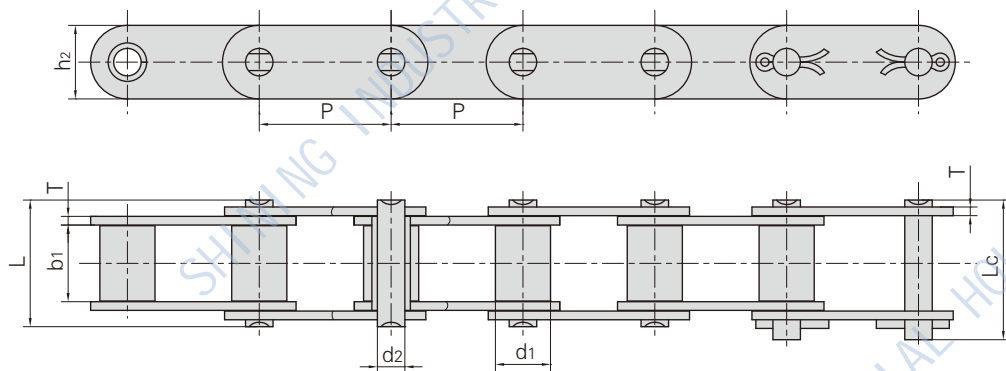


1.2.13 AGRICULTURAL CHAIN

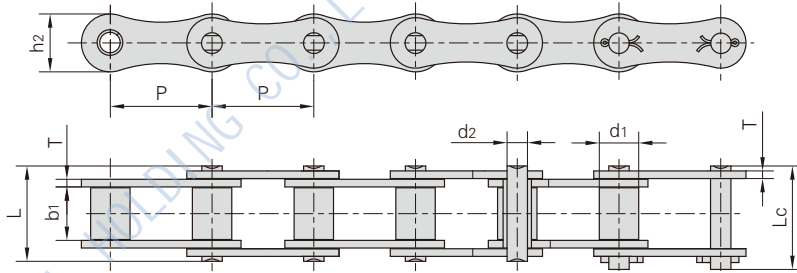


Chain No.	Pitch	Roller Diameter	Width Between Inner Plates	Pin Diameter	Pin Length		Inner Plate Depth	Plate Thickness	Tensile Strength	Average Tensile Strength	Weight Per Meter
	P	d1 max	b1 min	d2 max	L max	Lc max	h2 max	T max	Q min	Qo	q
	mm	mm	mm	mm	mm	mm	mm	mm	kN/lbf	kN	Kg/m
P38	38.0	16.0	22.0	9.0	39.0	43.0	21.5	3.0	45.0/10116	54.0	2.0
P38	38.0	16.0	22.0	9.0	47.0	51.0	21.5	5.0	80.0/18000	88.0	2.74
P38	38.0	16.0	22.0	9.0	43.2	46.5	21.5	4.0	45.0/10116	54.0	2.43



Chain No.	Pitch	Roller Diameter	Width Between Inner Plates	Pin Diameter	Pin Length		Inner Plate Depth	Plate Thickness	Tensile Strength	Average Tensile Strength	Weight Per Meter
	P	d1 max	b1 min	d2 max	L max	Lc max	h2 max	T max	Q min	Qo	q
	mm	mm	mm	mm	mm	mm	mm	mm	kN/lbf	kN	Kg/m
P38	38.0	15.88	22.0	7.92	39.0	43.0	21.3	3.0	45.0/10116	54.0	2.39
P38	38.0	15.88	22.0	7.92	37.1	41.0	21.2	2.5	30.0/6745	33.0	2.10
P38	38.0	15.88	22.0	7.92	39.9	42.7	21.2	3.2	45.0/10116	54.0	2.42
P38	38.0	16.0	22.0	9.0	39.0	43.0	21.5	3.0	45.0/10116	54.0	2.42
P38	38.0	15.88	22.0	7.92	40.5	44.0	21.3	3.5	50.0/11241	55.0	2.63

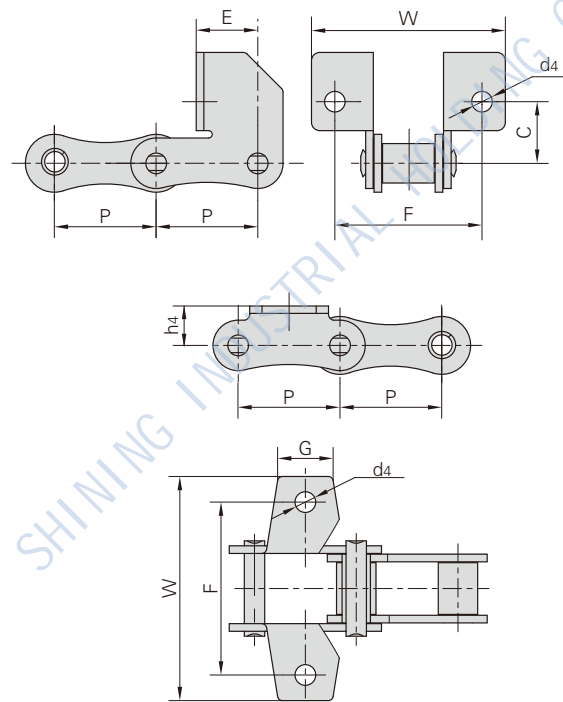
1.2.13 AGRICULTURAL CHAIN



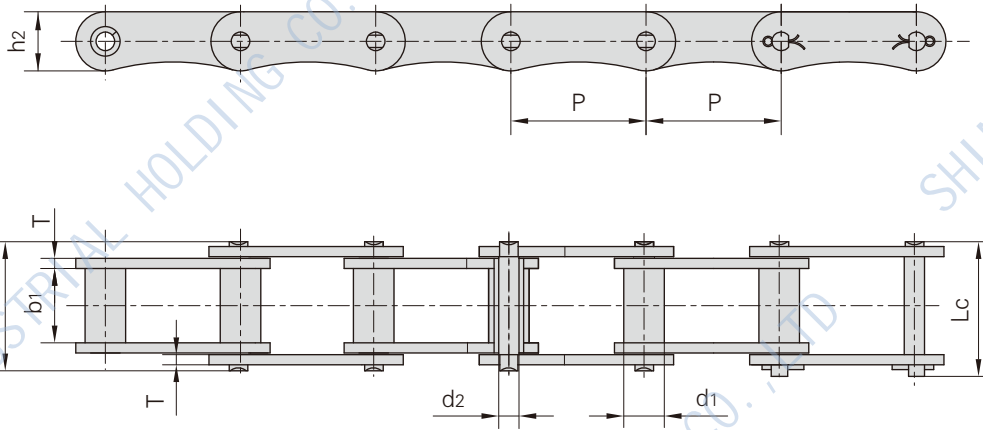
Chain No.	Pitch	Roller Diameter	Width Between Inner Plates	Pin Diameter	Pin Length		Plate Dimension		Tensile Strength	Weight Per Meter
	P	d1 max	b1 min	d2 max	L max	Lc max	h2 max	T max	Q min	q
	mm	mm	mm	mm	mm	mm	mm	mm	kN/lbf	Kg/m
P41.3	41.3	16.0	21.4	8.28	39.0	42.0	23.5	3.1	50.0/11363	2.27
P42.01	42.01	19.05	27.9	10.19	44.9	46.5	25.0	3.0	45.0/10227	2.95
P41.4	41.4	15.88	19.0	8.28	36.1	39.1	21.2	3.0	50.0/11363	1.98
P41.4	41.4	17.78	22.23	8.22	41.3	44.4	21.4	1.33	71.7/16.120	2.43
P50.8	50.8	25.0	18.9	9.53	40.4	44.7	25.0	4.0	90.0/20454	3.49
P50.8	50.8	20.0	18.9	9.53	40.4	44.7	25.0	4.0	90.0/20454	2.98
P50.8	50.8	19.05	19.05	5.93	40.4	44.7	25.0	4.0	90.0/20454	2.85

Chain No.	P	C	E	F	W	d4
	mm	mm	mm	mm	mm	mm
P41.3	41.3	25.0	25.0	60.0	79.0	6.4
P41.3	41.3	25.0	25.0	60.0	79.0	6.4
P41.3	41.3	25.0	52.3	55.0	80.0	8.5
P41.3	41.3	25.0	25.0	60.0	79.0	8.4

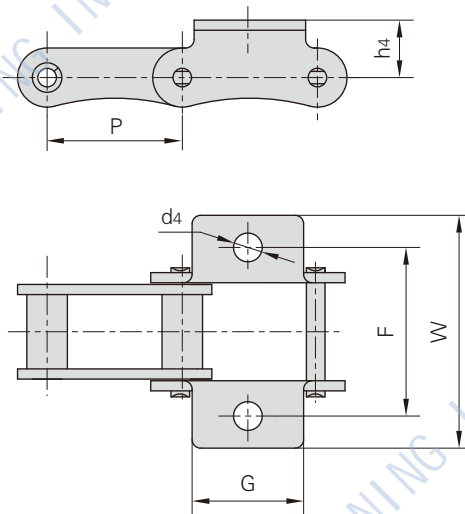
Chain No.	P	G	F	W	h4	d4
	mm	mm	mm	mm	mm	mm
P41.3	41.3	22.0	70.5	91.3	16.0	8.4



1.2.13 AGRICULTURAL CHAIN

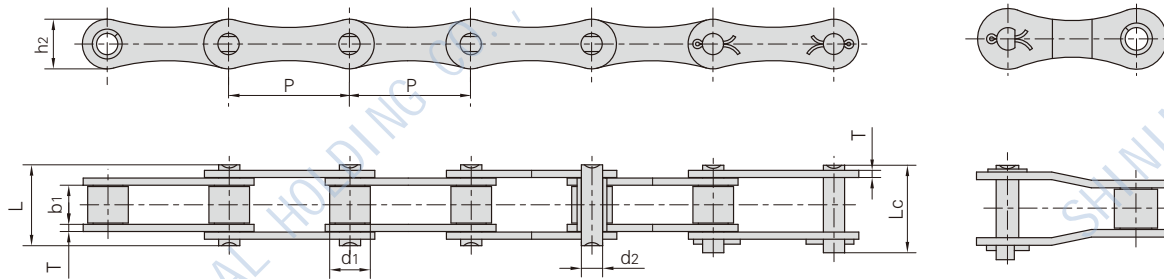


Chain No.	Pitch	Roller Diameter	Width Between Inner Plates	Pin Diameter	Pin Length		Plate Depth	Plate Thickness	Tensile Strength	Weight Per Meter
	P	d1 max	b1 min	d2 max	L max	Lc max	h2 max	t/T max	Q min	q
	mm	mm	mm	mm	mm	mm	mm	mm	kN/lbf	Kg/m
P40	40.0	12.0	22.0	6.0	38.2	41.0	17.5	3.0	31.4/7136	1.53



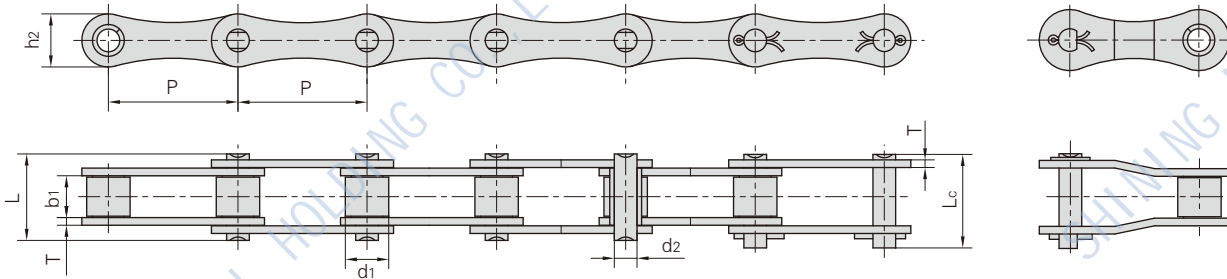
Chain No.	P	G	F	W	h4	d4
	mm	mm	mm	mm	mm	mm
P40	40.0	33.0	50.0	69.0	17.0	8.5

1.2.13 AGRICULTURAL CHAIN

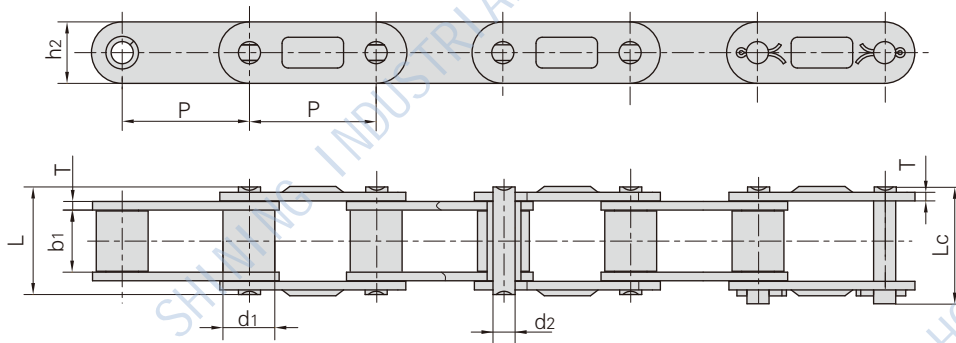


Chain No.	Pitch	Roller Diameter	Width Between Inner Plates	Pin Diameter	Pin Length		Plate Depth	Plate Thickness	Tensile Strength	Average Tensile Strength	Weight Per Meter
	P	d1 max	b1 min	d2 max	L max	Lc max	h2 max	t/T max	Q min	Qo	q
	mm	mm	mm	mm	mm	mm	mm	mm	kN/lbf	kN	Kg/m
P41.4	41.4	17.9	22.23	8.22	39.3	42.4	20.0	3.0	42.0/9546	45.0	2.22
P41.4	41.4	17.9	22.23	8.22	39.3	42.4	21.4	3.0	45.0/10227	73.1	2.32
P29.21	29.21	11.43	15.88	4.45	26.7	28.8	13.2	1.8	8.0/1818	21.6	0.86
P29.21	29.21	11.43	15.88	5.08	27.3	29.7	13.5	2.1	25.0/5680	27.0	0.96
P34.93	34.93	14.27	19.05	7.0	34.3	37.0	19.8	2.8	27.0/6136	50.8	1.6
P34.93	34.93	14.27	19.05	7.0	34.3	37.0	19.8	2.5/63.0	27.0/6136	50.8	1.82
P41.4	41.4	15.24	22.23	5.72	37.7	40.4	17.3	2.8	18.0/4091	36.1	1.66
P41.4	41.4	15.24	22.23	7.14	39.5	42.5	17.3	3.0	37.65/8465	41.4	2.1
P38.1	38.1	15.24	16.00	5.72	30.9	33.8	17.3	2.8	28.0/6364	30.8	1.48
P38.1	38.1	15.24	22.23	5.72	37.7	40.4	17.3	2.8	18.0/4091	36.1	1.68
P38.1	38.1	14.0	22.0	6.92	36.5	39.1	18.2	2.5	23.5/5283	28.2	1.6
P38.1	38.1	15.24	16.4	5.72	30.9	33.8	16.5	2.5	29.2/6636	32.2	1.36
P38.1	38.1	15.88	17.8	6.94	33.8	37.0	16.7	3.0	30.0/6818	32.5	1.58
P41.4	41.4	17.78	22.23	5.72	37.7	40.4	17.3	2.8	18.0/4091	36.1	1.8
P41.4	41.4	17.78	22.23	8.9	41.0	44.0	22.4	3.5	45.0/10227	73.1	2.49
P41.4	41.4	17.78	22.23	8.9	43.2	46.4	22.4	4.0	65.0/14772	84.5	2.74
P41.4	41.4	25.0	22.23	8.9	43.2	46.4	22.4	4.0	65.0/14772	84.5	2.74
P41.91	41.91	19.05	26.2	5.72	40.3	43.0	17.3	2.5	26.7/6067	36.1	1.87
P41.91	41.91	19.05	25.4	5.72	39.4	42.2	17.3	2.5	26.7/6067	36.1	2.04
P41.91	41.91	19.05	26.2	5.72	40.3	43.0	16.7	2.5	26.7/6067	36.1	2.07
P41.91	41.91	19.05	27.9	10.0	44.9	49.3	25.0	3.0	45.0/10227	60.0	2.96
P41.91	41.91	19.05	25.8	8.5	41.9	44.6	20.1	2.8	42.0/9546	45.0	2.43
P58.34	58.34	18.26	22.23	8.9	43.2	46.4	26.2	4.0	45.0/10227	73.1	2.66
P66.27	66.27	22.86	28.58	8.9	49.8	53.0	26.2	4.0	45.0/10227	73.1	3.25

1.2.13 AGRICULTURAL CHAIN



Chain No.	Pitch	Roller Diameter	Width Between Inner Plates	Pin Diameter	Pin Length		Plate Dimension		Tensile Strength	Average Tensile Strength	Weight Per Meter
	P	d1 max	b1 min	d2 max	L max	Lc max	h2 max	T max	Q min	Qo	q
	mm	mm	mm	mm	mm	mm	mm	mm	kN/lbf	kN	Kg/m
P41.4	41.4	16.87	19.81	7.19	35.0	38.0	19.3	2.8	39.1/8886	51.2	1.79
P41.4	41.4	16.87	12.7	7.19	29.1	32.0	19.3	3.1	39.1/8886	56.0	1.6
P41.4	41.4	17.78	20.24	8.0	37.4	40.6	23.1	3.1	55.61/12639	74.3	2.45
P42.01	42.01	17.91	24.51	7.19	41.8	45.2	20.2	3.25	39.1/8886	55.1	2.18



Chain No.	Pitch	Roller Diameter	Width Between Inner Plates	Pin Diameter	Pin Length		Plate Dimension		Tensile Strength	Average Tensile Strength	Weight Per Meter
	P	d1 max	b1 min	d2 max	L max	Lc max	h2 max	T max	Q min	Qo	q
	mm	mm	mm	mm	mm	mm	mm	mm	kN/lbf	kN	Kg/m
P30	30.0	15.88	19.05	8.28	36.1	39.4	20.5	3.0	50.0/11247	55.0	2.51
P41.4	41.4	16.87	19.81	7.19	35.0	38.0	19.3	2.8	39.1/8886	51.2	1.94
P41.4	41.4	16.87	12.7	7.19	29.1	32.0	19.3	3.1	39.1/8886	56.0	1.72
P41.4	41.4	17.78	20.24	8.0	37.4	40.6	23.1	3.1	55.61/12639	74.3	2.6
P42.01	42.01	17.91	24.51	7.19	41.8	45.2	20.2	3.25	39.1/8886	55.1	2.35
P38.1	38.1	22.23	12.57	5.94	29.2	31.6	18.0	3.25	31.1/6992	35.0	2.3
P30	30.0	15.88	19.6	8.28	36.1	39.7	20.5	3.0	50.0/11241	55.0	2.55