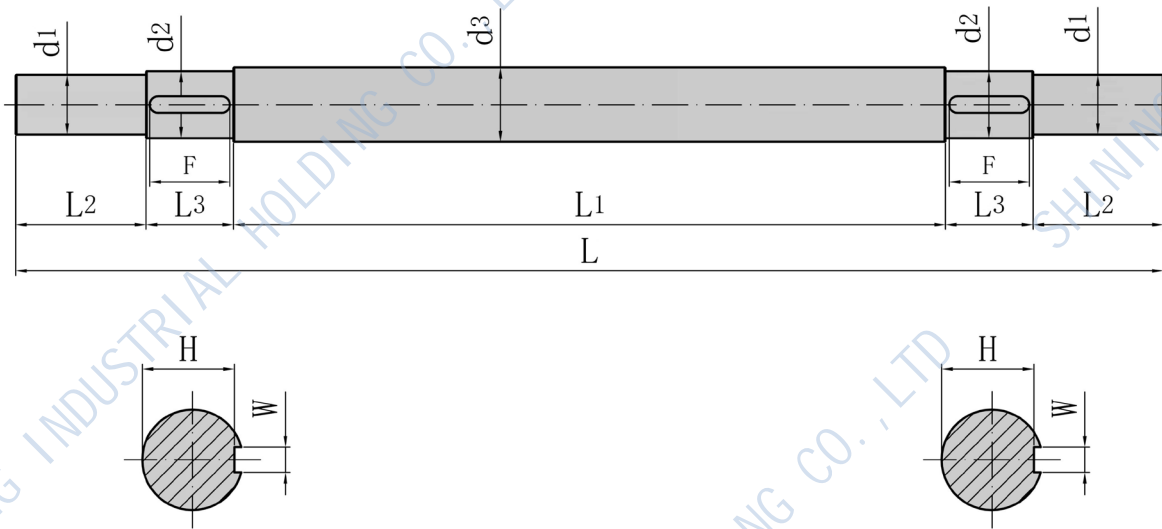
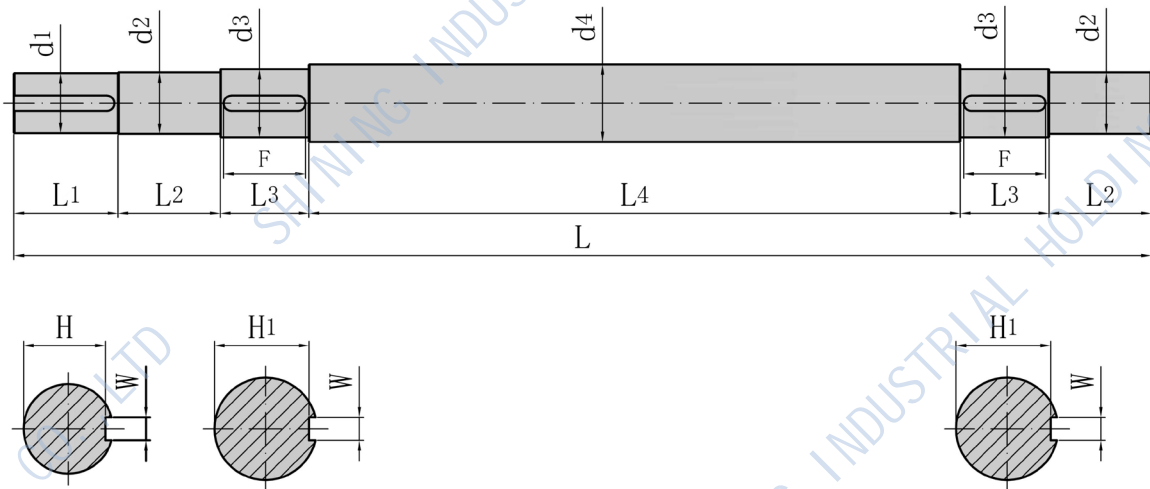


## 4.1 DRIVE SHAFT

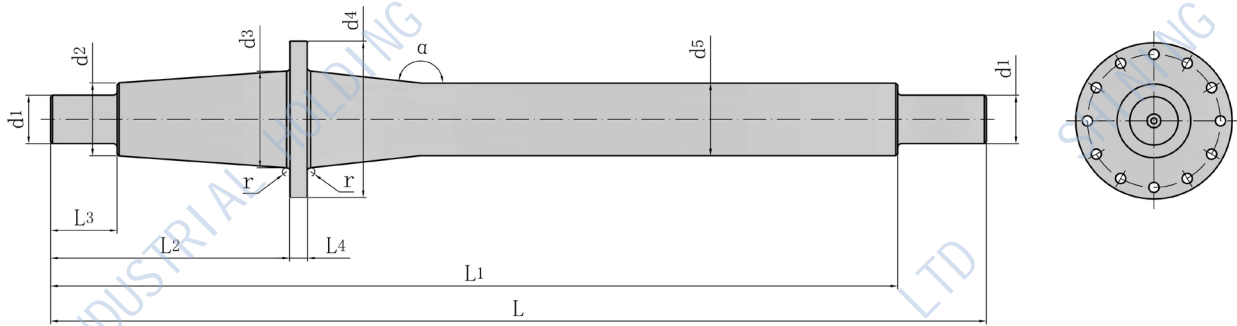


Shaft NO.	d1	d2	d3	L	L1	L2	L3	F	H	W
	mm	mm	mm	mm	mm	mm	mm	mm	mm	mm
SH/200×3080	160.0	180.0	200.0	3080.0	1910.0	350.0	235.0	215.0	165.0	45.0

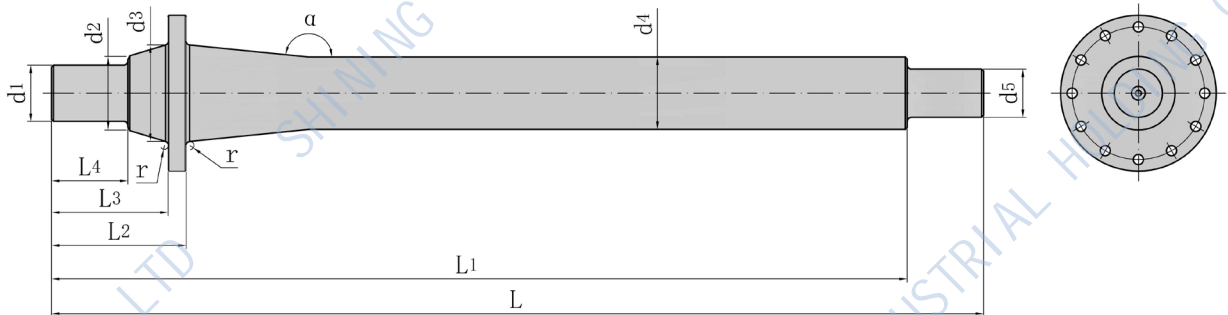


Shaft NO.	d1	d2	d3	d4	L	L1	L2	L3	L4	F	H	H1	W
	mm	mm	mm	mm	mm	mm	mm	mm	mm	mm	mm	mm	mm
SH/227×3335	175.0	180.0	200.0	227.0	3335.0	305.0	300.0	260.0	1910.0	240.0	160.0	185.0	45.0

### 4.1 DRIVE SHAFT



Shaft NO.	d1	d2	d3	d4	d5	r	L	L1	L2	L3	L4	$\alpha$
	mm	mm	mm	mm	mm	mm	mm	mm	mm	mm	mm	
SH-5029	76.149	114.808	152.4	246.08	114.3	6.35	1473.2	1333.5	376.174	104.775	28.575	174°



Shaft NO.	d1	d2	d3	d4	d5	r	L	L1	L2	L3	L4	$\alpha$
	mm	mm	mm	mm	mm	mm	mm	mm	mm	mm	mm	
SH-5025	76.149	116.08	152.4	114.3	76.149	6.35	1473.2	1352.55	206.375	177.8	104.78	174°
SH-5026	88.85	116.2	152.4	114.3	76.149	6.35	1206.5	1085.85	212.725	184.15	120.65	175°
SH-5031	88.85	116.2	152.4	114.3	76.149	6.35	1473.2	1352.55	212.725	184.15	120.65	174°