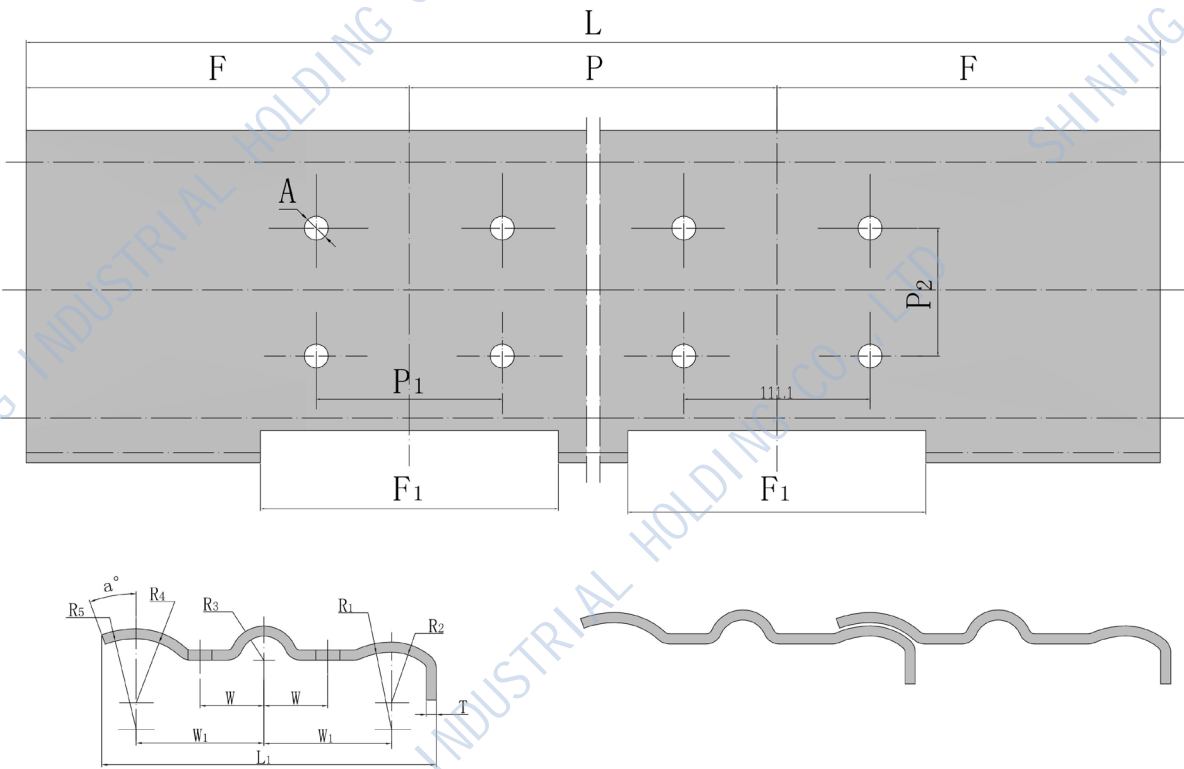


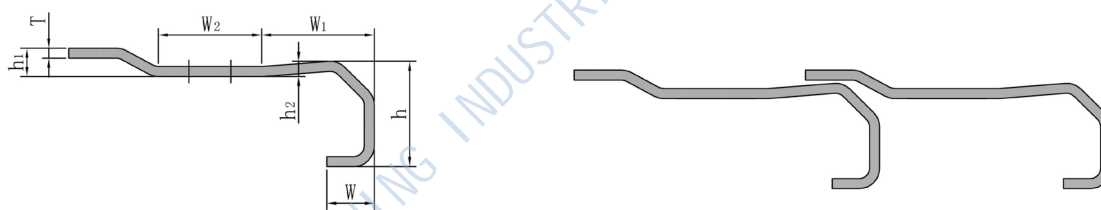
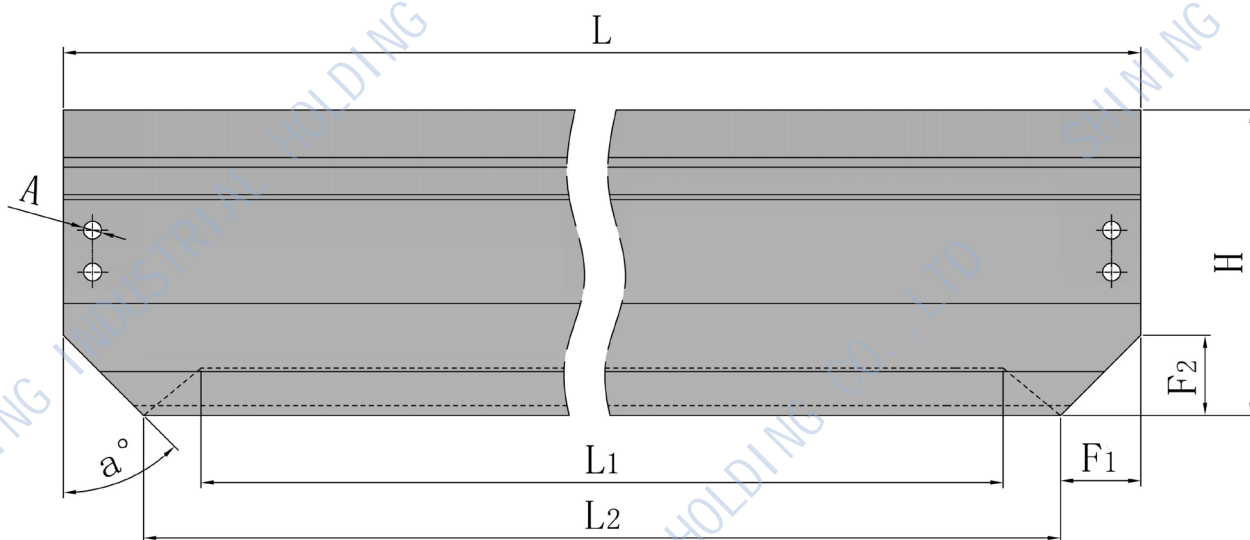
### 5.1 SLAT



Slat NO.	L	P	P1	P2	F	F1	A	T
	mm	mm	mm	mm	mm	mm	mm	mm
Slat	1676.4	1219.2	111.1	76.2	228.6	177.8	14.3	6

Slat NO.	L1	W	W1	R1	R2	R3	R4	R5	a
	mm	mm	mm	mm	mm	mm	mm	mm	°
Slat	199.6	38.1	76.2	46.02	30.15	14.27	38.1	53.98	20

## 5.1 SLAT



Slat NO.	L	L1	L2	F1	F2	H	A	a
	mm	mm	mm	mm	mm	mm	mm	°
Slat-944	3238.5	2908.3	3086.1	76.2	76.2	290	17	45

Slat NO.	T	h	h1	h2	W	W1	W2
	mm	mm	mm	mm	mm	mm	mm
Slat-944	9.5	100	27	14.5	45	107	98