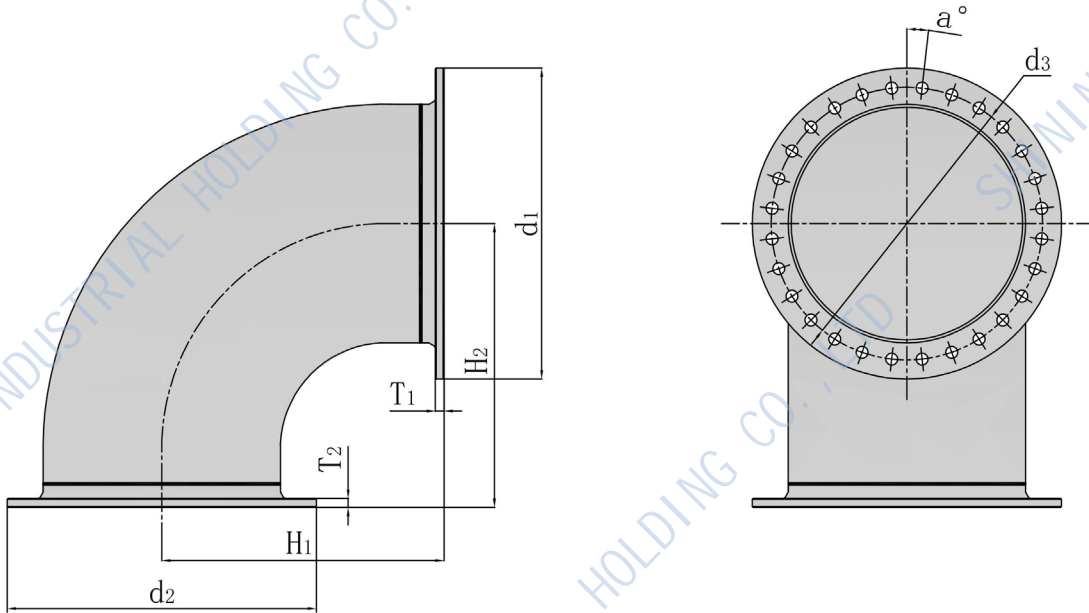


5.3 FLANGED BENT PIPE



Flanged Bent Pipe NO.	d_1	d_2	d_3	T_1	T_2	H_1	H_2	a
	mm	mm	mm	mm	mm	mm	mm	mm
90° -28-316	1060	1060	980	30	30	967.5	967.5	6.43°
90° -36-316	1285	1285	1198	30	30	1024.0	1024.0	5°